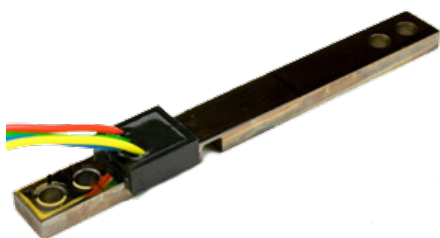


S100 Thin Film Load Cell



The Series **100 Thin-Film Load Cell** using proprietary sputtered thin film strain gauge technology to create a rugged sensor with exceptional long term stability. These highly sophisticated thin film force sensors are manufactured in high quantities using state-of-the-art equipment. The compact sensor with it's simple beam mounting configuration, the compact sensor can be used to electronically measure force or displacement in a wide variety of applications. Custom characteristics can be provided for high volume OEM users.

Product Specifications:

Capacity:	0.5, 1, 2, 5, 10, 20, 50, 125 N
Hysteresis:	0.03% R.O.
Non Repeatability:	0.05% R.O.
Creep (30 mins):	0.05 R.O.
Static Overload (Safe):	200% R.C.
Temperature Range:	-10°C to 70°C
Temp. Effect on Zero Balance:	0.03% R.O./°C
Temp. Effect on Output:	0.03% Reading/°C
Rated Output:	1 mV/V Nominal
Zero Balance:	1 mV/V
Excitation (Recommended):	10 V ac/dc
Terminal Resistance (Input-Output):	1000 Ω
Insulation Resistance:	1000 MΩ @ 50 Vdc

Features:

- Compact, Low Profile Design
- High Long Term Zero Point Stability
- Ideally Suited for OEM Applications
- Low Power Consumption
- Low Hysteresis

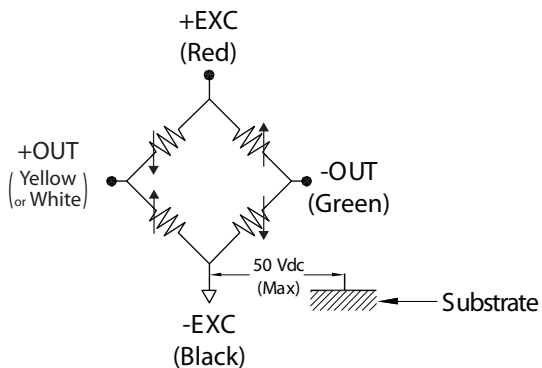
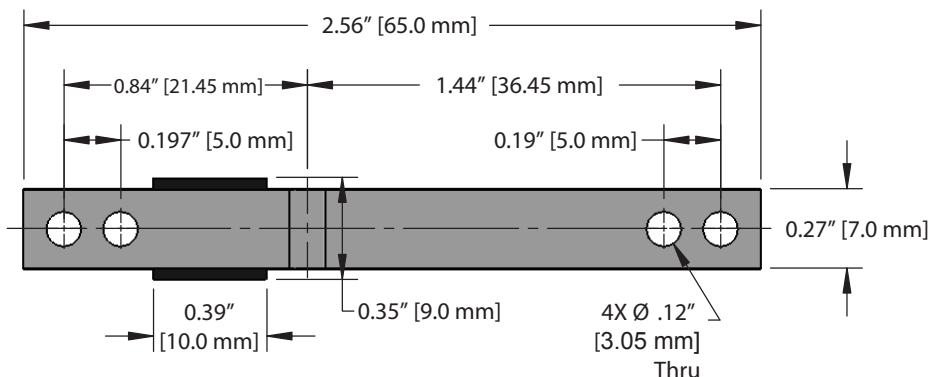
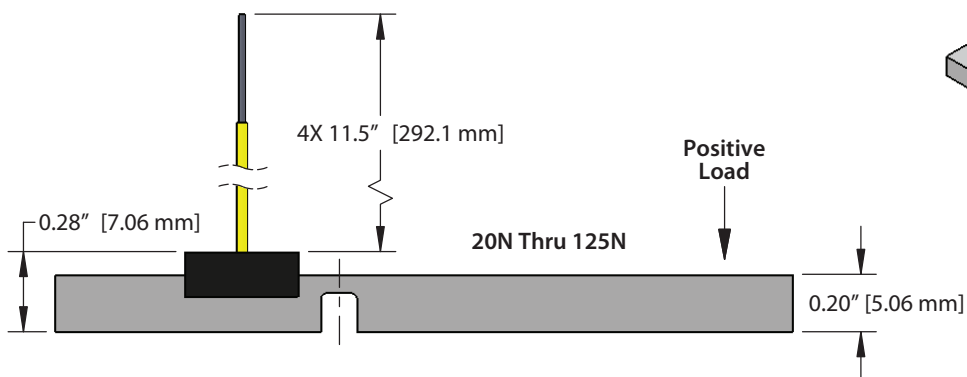
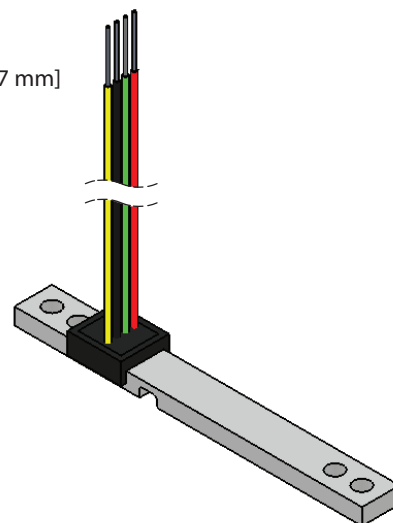
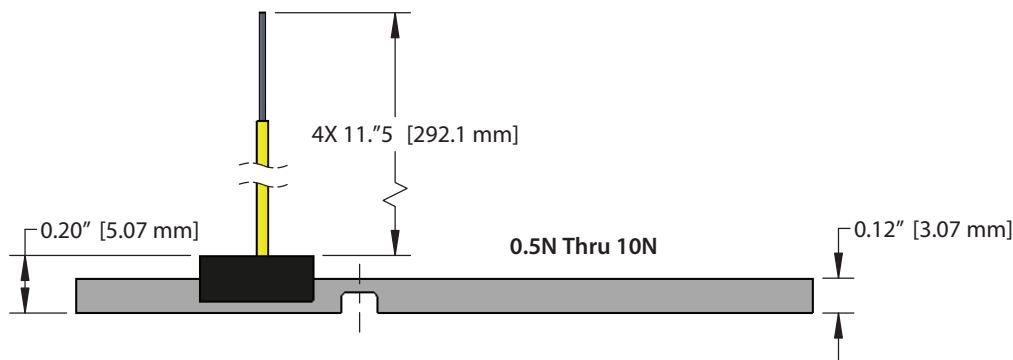
Applications:

- Medical Instrumentation Force, Displacement
- Acceleration Measurement
- Battery Powered Equipment
- Food Dispensing Equipment
- Robotics

Rated Capacity: (N)	0.5	1	2	5	10	20	50	125
Natural Frequency: (Hz)	80	130	180	350	500	590	830	TBD



STRAIN MEASUREMENT DEVICES



Part Name	Description
S100-000A	0.5 N, Aluminum, Deflection: 0.030"
S100-001	1 N, Stainless Steel, Deflection: 0.022"
S100-002	2 N, Stainless Steel, Deflection: 0.016"
S100-005	5 N, Stainless Steel, Deflection: 0.011"
S100-010	10 N, Stainless Steel, Deflection: 0.009"
S100-020	20 N, Stainless Steel, Deflection: 0.010"
S100-050	50 N, Stainless Steel, Deflection: 0.006"
S100-125	125 N, Stainless Steel, Deflection: 0.017"

USA
 Strain Measurement Devices
 55 Barnes Park North, Wallingford, CT 06492
sales@smdsensors.com | (203) 294-5800

Europe
 Strain Measurement Devices
 Bury Road, Chedburgh, Bury St Edmunds IP29 4UQ
sales@smdsensors.co.uk | +44 (0)1284 852 000