

S215 Ultra-Low Profile Miniature Single Point Load Cell



The **S215 Load Cell** is an extremely low profile single point sensor intended for limited space applications requiring accurate measurement of full scale forces of 2, 4, 12, and 22 pounds-force. It can be used with a rigidly mounted platform or to measure tensile or compressive forces. A 10,000 Ω Wheatstone bridge offers extremely low power consumption for extended battery life in portable products. Mounting from the bottom minimizes the total height of the assembly. Options on various specifications and mounting configurations are available.

Product Specifications:	
Capacity:	2, 4, 12, 22 lb [0.9, 1.8, 5.5, 10 kg]
Hysteresis:	0.03% R.O.
Non Repeatability:	0.01% R.O.
Creep (20 mins):	< 0.02% R.O.
Overload (Safe):	200% R.O.
Temperature Range:	-40°C to 150°C
Temp. Effect on Zero Balance:	0.03% R.O./°C
Temp. Effect on Span:	0.03% Reading/°C
Rated Output:	2 mV/V Nominal
Zero Offset:	0.3 mV/V
Excitation (Recommended):	Up to 20 Vdc
Bridge Resistance:	10000 Ω
Bridge Configuration:	4-Wire Closed Bridge
Insulation Resistance:	>1000 M Ω 50 Vdc
Long Term Stability:	0.01% R.O. / Year
Electric Termination:	32 AWG Teflon® Insulated Wires

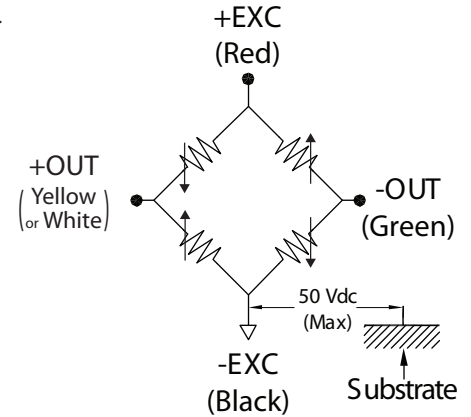
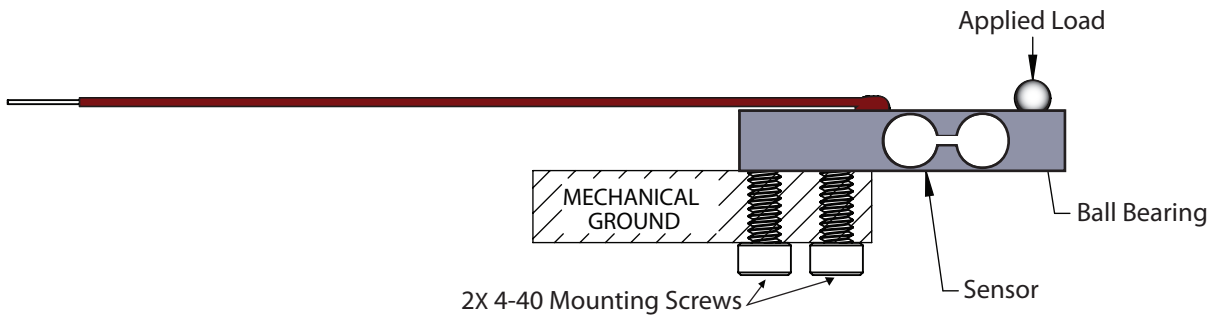
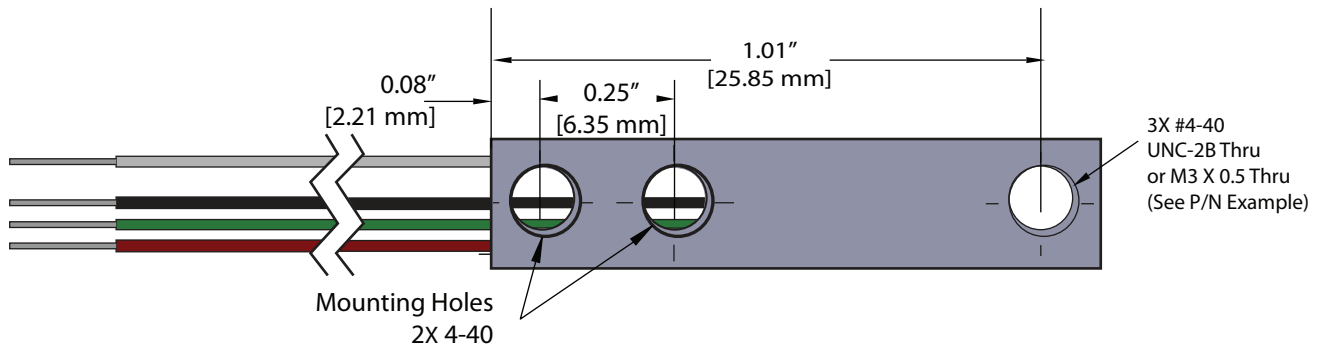
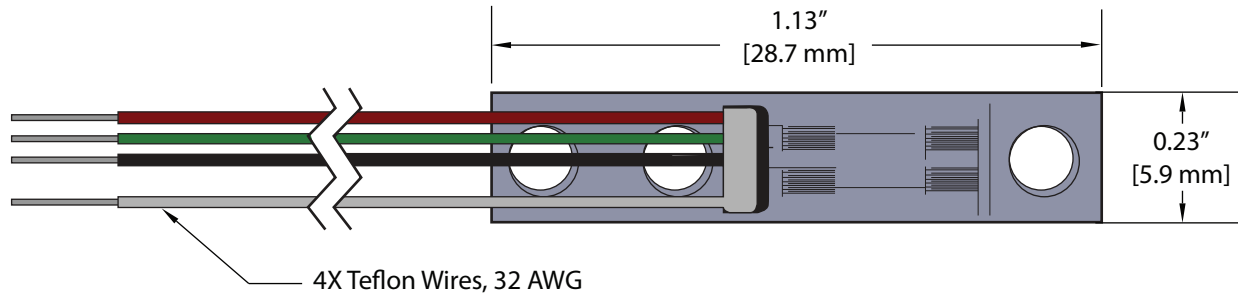
Features:

- Low Profile
- Single Point (Platform)
- Low Power Consumption
- Long Term Stability
- Economical
- Low Hysteresis

Applications:

- Medical Instrumentation
- Scales
- Laboratory Use
- Force Measurement
- Robotics

Rated Capacity (lb):	2	4	12	22
Deflection:	0.0045"	0.0045"	0.0065"	-"



Part Name	Description	"H"
S215-002	2.0 lb [0.90 kg]	0.208" [5.28 mm]
S215-004	4.0 lb [1.8 kg]	0.217" [5.51 mm]
S215-012	12 lb [5.40 kg]	0.239" [6.07 mm]
S215-022	22 lb [10.0 kg]	0.258" [6.55 mm]

* The sensor moves with applied load. When mounting the load cell, take care not to interfere with the load cell's movement.